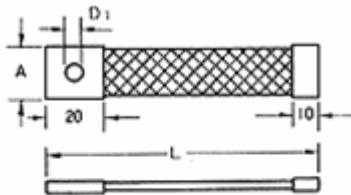


TERMINAL ACCESSORIES OF EREMA HEATING ELEMENTS

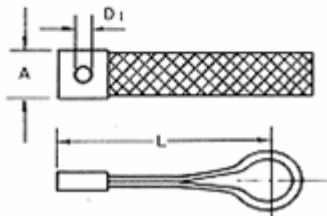
Terminal clamps and terminal straps are provided as accessories with EREMA elements. Loop the strap uniformly around the EREMA terminal in the circumferential direction, and fasten it evenly under pressure, using a clamp. For high temperature or atmosphere furnaces heat-proof terminal clamps and straps are available for termination areas with high ambient temperatures

SL Type Terminal Strap / SH Type Terminal Strap

SL Type



SH Type

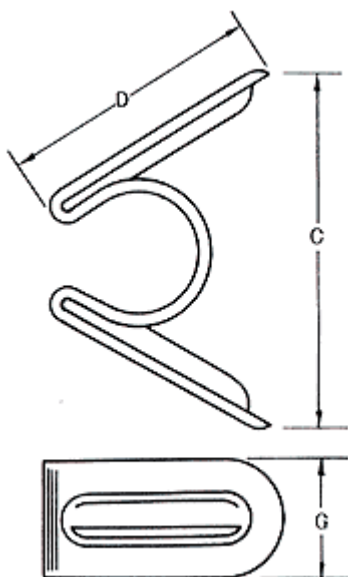


■ Standards for Terminal Strap

Unit : mm

No.	Element Dia.	L	A	D1
SL-8	8	110	12	7
SL-10	10	150		
SL-12	12			
SL-14	14			
SL-16	16	180	20	10
SL-20	20			
SL-25	25	200	23	10
SL-30	30	200		
SL-35	35	300	25	13
SL-40	40			
SL-45	45			
SL-50	50			

HV Type Terminal Clamp

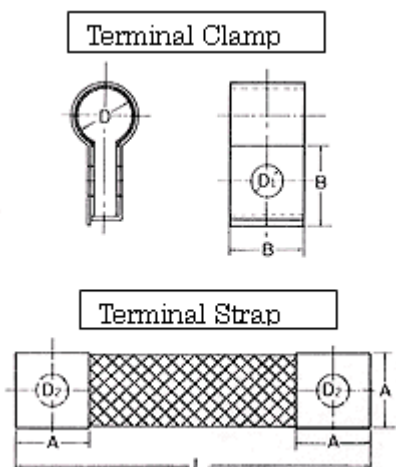


■Standards for Terminal Clamp

Unit : mm

No.	Element Dia	D	G	C
HV-8	8	20	8	20
HV-10	10	25	10	25
HV-12	12	30	12	30
HV-14	14	35	14	40
HV-16	16	35	16	40
HV-20	20	40	20	55
HV-25	25	45	25	60
HV-30	30	55	30	75
HV-35	35	65	35	85
HV-40	40	70	40	85
HV-45	45	80	40	95
HV-50	50	80	40	95

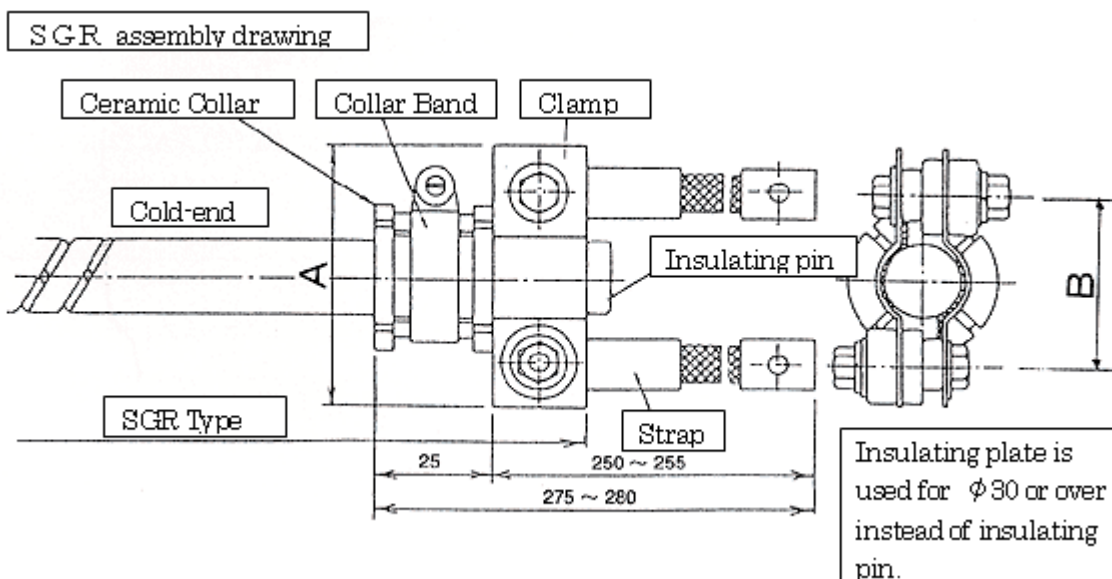
Heatproof Terminal Accessories (Clamp and Strap)



Unit : mm

Element Dia	Terminal Clamp				Terminal Strap				Clamping Bolt	
	No.	D	B	D1	No.	L	A	D2	Screw Dia	Length
12	G-12	13	17	7	GH-12	90	17	7	5	20
14	G-14	15	20	10	GH-14	90	20	10	8	30
16	G-16	17	22	10	GH-16	100	22	10	8	30
20	G-20	21	25	10	GH-20	120	25	10	8	30
25	G-25	27	30	10	GH-25	140	30	10	8	35
30	G-30	32	35	13	GH-30	300	35	13	10	40
35	G-35	37	40	13	GH-35	300	40	13	10	45
40	G-40	42	45	13	GH-40	300	40	13	10	50
45	G-45	47	45	13	GH-45	300	40	13	10	55
50	G-50	52	45	13	GH-50	300	40	13	10	55

TERMINAL ACCESSORIES OF SGR TYPE



Unit : mm

Element Dia	A	B
16	55	35
20	59	39
25	64	44
30	91	61
35	97	67
40	103	73

